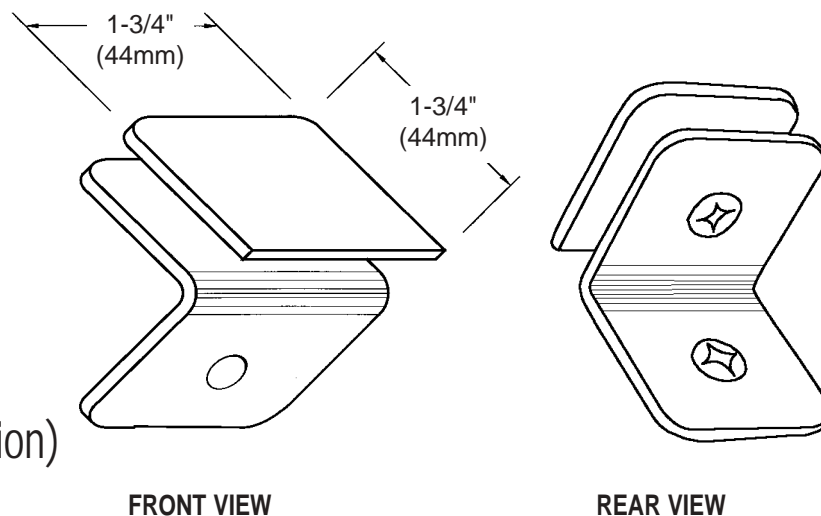




C.R. LAURENCE CO., INC.
 PROFESSIONAL QUALITY

GLASS CLAMPS
 90° Glass Clamp
 (Wall-to-Glass Application)
 CAT. No. GCB90



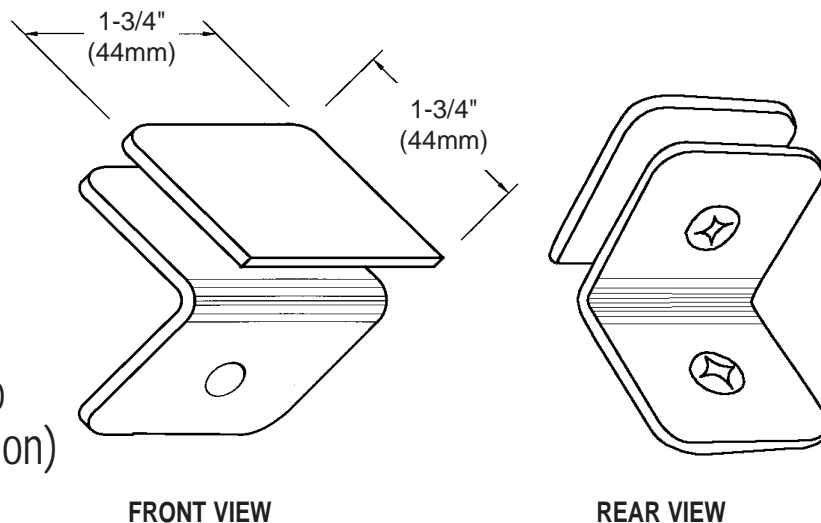
Note: The Clamps shown on this page can also be used in a glass-to-glass application. For information on this see pages 4X-5 and 4X-6.

Specifications:

Material: Solid brass
Glass Thickness Range: 5/16" (8mm) to 1/2" (12mm)
Hole Size Required: 5/8" (16mm) or 3/4" (19mm)
Includes: Mounting screws and gaskets
Note: An additional set of gaskets is required for 5/16" (8mm) glass

Template Shown on Next Page

GLASS CLAMPS
 Junior 90° Glass Clamp
 (Wall-to-Glass Application)
 CAT. No. GCB690



Specifications:

Material: Solid brass
Glass Thickness: 1/4" (6mm)
Hole Size Required: 5/8" (16mm) or 3/4" (19mm)
Includes: Mounting screws and gaskets

Template Shown on Next Page