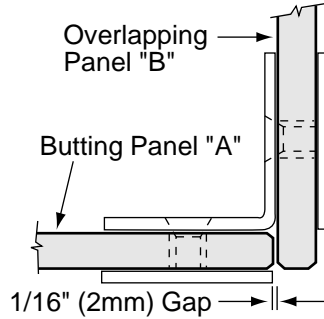


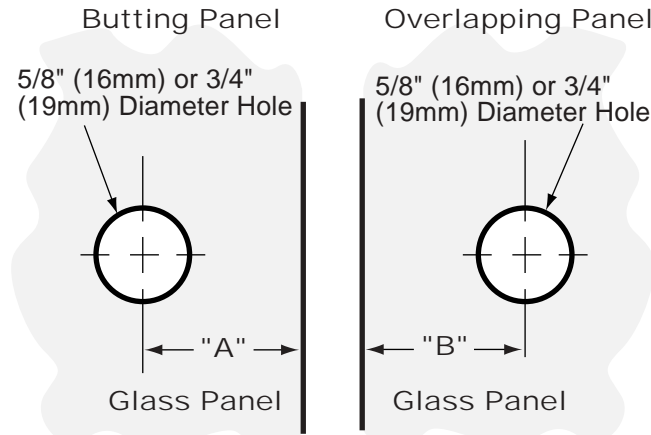


## TYPICAL INSTALLATION

**Important:**  
Project measurements from the edge of the glass.

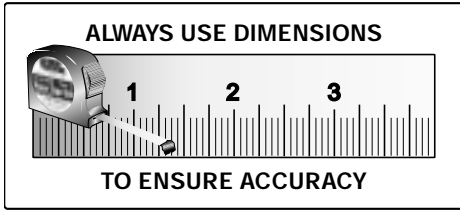


## TEMPLATE OPTION FOR SQUARE CUT GLASS



**Note:** The Clamps shown on this page can also be used in a wall-to-glass application. For information on this see pages 4X-7 and 4X-8.

Glass Thickness	"A" Measurement	"B" Measurement
1/4" (6mm)	15/16" (24mm)	1-1/4" (32mm)
5/16" (8mm)	15/16" (24mm)	1-5/16" (34mm)
3/8" (10mm)	15/16" (24mm)	1-3/8" (35mm)
1/2" (12mm)	15/16" (24mm)	1-1/2" (38mm)



## GLASS CLAMPS

THE ABOVE TEMPLATE OPTIONS APPLY TO THE FOLLOWING CLAMPS:

90° Glass Clamp  
(Glass-to-Glass Application)

CAT. No. **GCB90**

Junior 90° Glass Clamp  
(Glass-to-Glass Application)

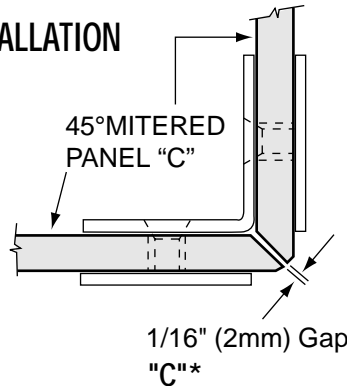
CAT. No. **GCB690**

Monaco Glass Clamp  
(Glass-to-Glass Application)

CAT. No. **M0690**

## TYPICAL INSTALLATION

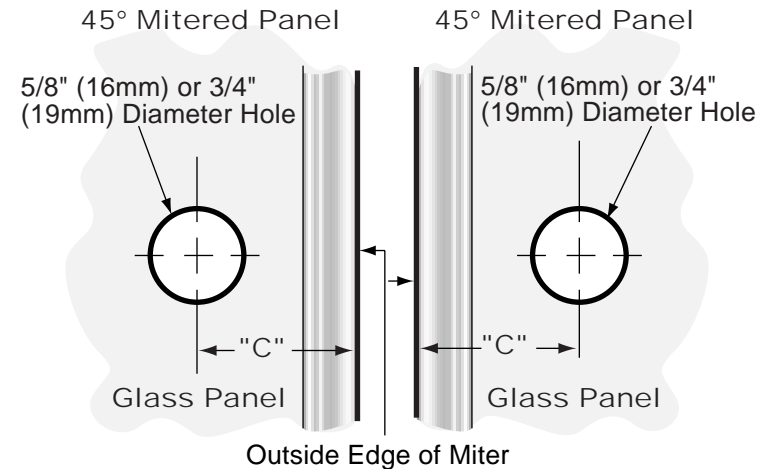
**Important:**  
Project measurements from the outside of the mitered glass.



Glass Thickness	Measurement "C"*
1/4" (6mm)	1-3/16" (30mm)
5/16" (8mm)	1-1/4" (32mm)
3/8" (10mm)	1-5/16" (34mm)
1/2" (12mm)	1-7/16" (37mm)

\*From outside edge of miter

## TEMPLATE OPTION FOR 45° MITERED GLASS



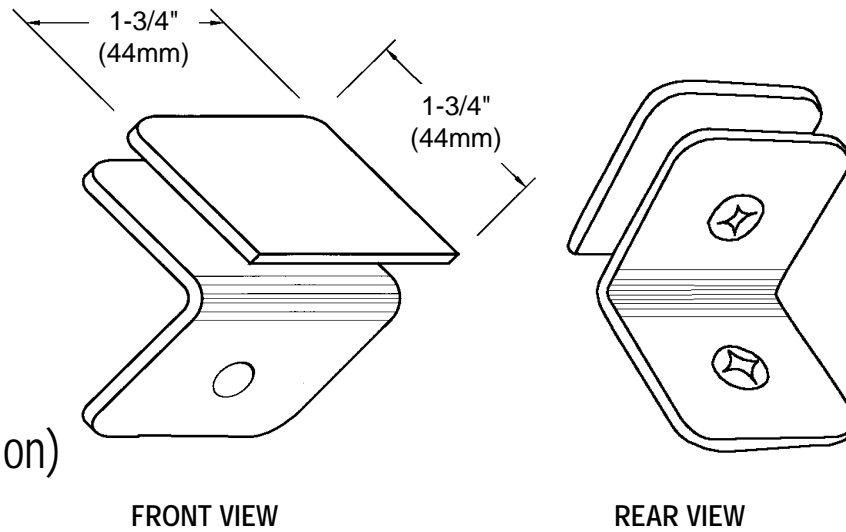


**C.R. LAURENCE CO., INC.**  
**PROFESSIONAL QUALITY**

## GLASS CLAMPS

90° Glass Clamp  
 (Wall-to-Glass Application)

CAT. No. GCB90



FRONT VIEW

REAR VIEW

**Note:** The Clamps shown on this page can also be used in a glass-to-glass application. For information on this see pages 4X-5 and 4X-6.

### Specifications:

**Material:** Solid brass

**Glass Thickness Range:** 5/16" (8mm) to 1/2" (12mm)

**Hole Size Required:** 5/8" (16mm) or 3/4" (19mm)

**Includes:** Mounting screws and gaskets

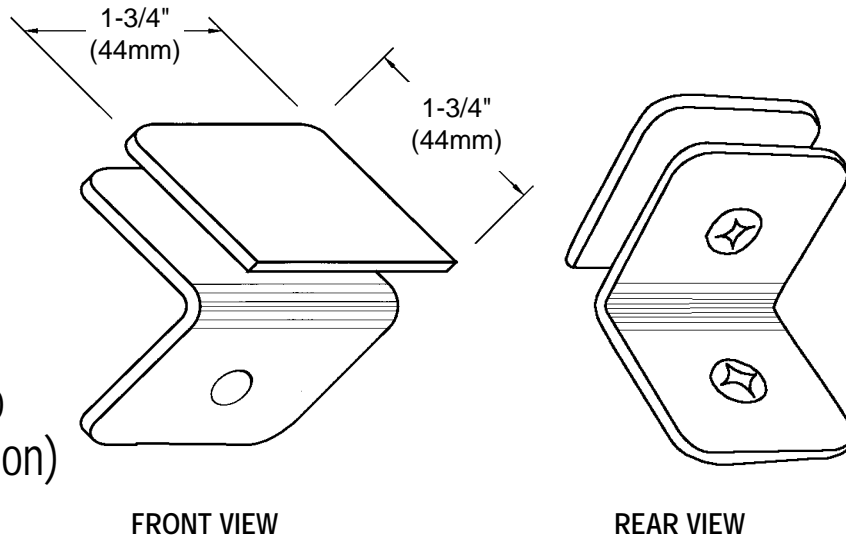
**Note:** An additional set of gaskets is required for 5/16" (8mm) glass

**Template Shown on Next Page**

## GLASS CLAMPS

Junior 90° Glass Clamp  
 (Wall-to-Glass Application)

CAT. No. GCB690



FRONT VIEW

REAR VIEW

### Specifications:

**Material:** Solid brass

**Glass Thickness:** 1/4" (6mm)

**Hole Size Required:** 5/8" (16mm) or 3/4" (19mm)

**Includes:** Mounting screws and gaskets

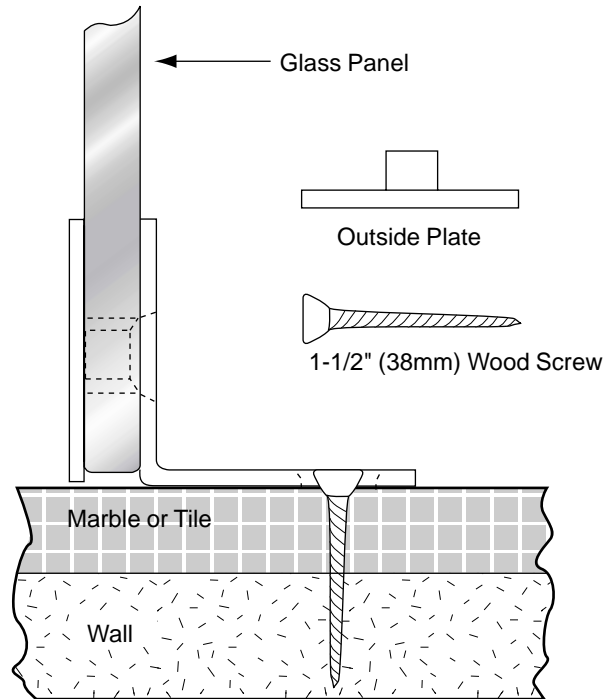
**Template Shown on Next Page**



**C.R. LAURENCE CO., INC.**  
**PROFESSIONAL QUALITY**

## TYPICAL INSTALLATION

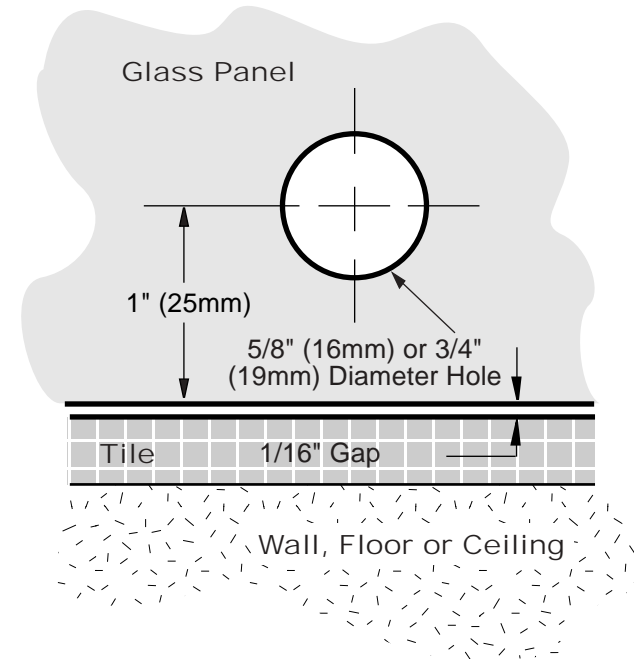
To use for glass-to-wall, remove one of the outer plates, and attach to the wall with enclosed wood screw.



**Note:** The Clamps shown on this page can also be used in a glass-to-glass application. For information on this see pages 4X-5 and 4X-6.

## TEMPLATE

**Important:** Project measurements from the edge of the glass.



## GLASS CLAMPS

THE TEMPLATE ON THIS PAGE APPLIES TO THE FOLLOWING CLAMPS:

90° Glass Clamp (Wall-to-Glass Application)

CAT. No. GCB90

Junior 90° Glass Clamp (Wall-to-Glass Application)

CAT. No. GCB690

