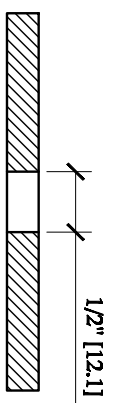
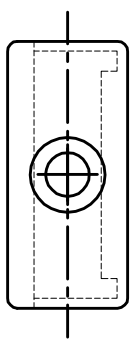
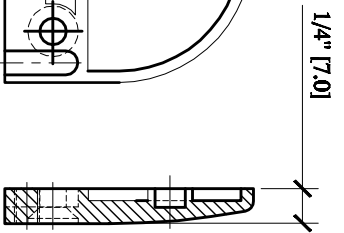
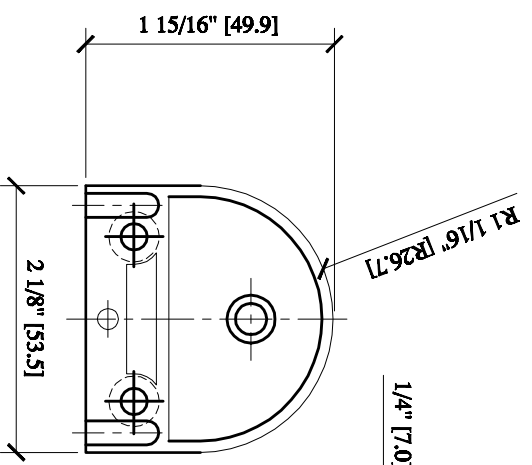
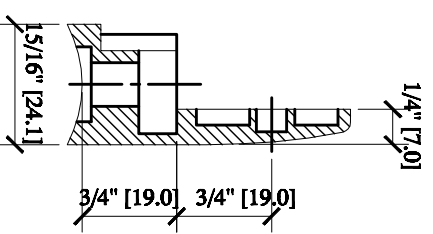
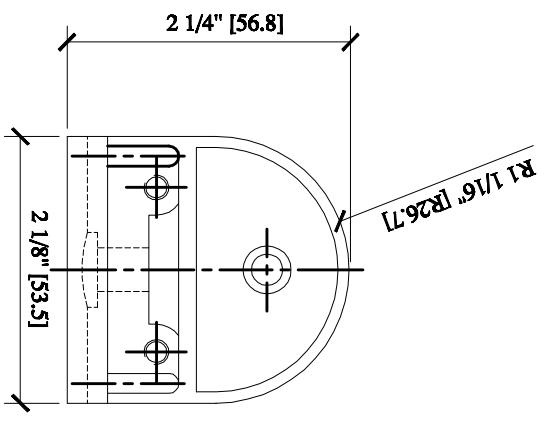


**Z-SERIES ROUND TYPE  
RADIUS BASE ZINC CLAMPS  
FOR 1/4" AND 5/16" GLASS  
CAT NO. Z206xx**



**GLASS FABRICATION**

