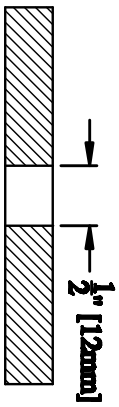
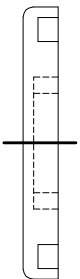
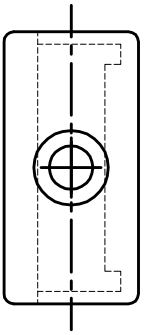
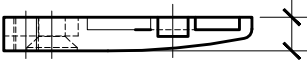
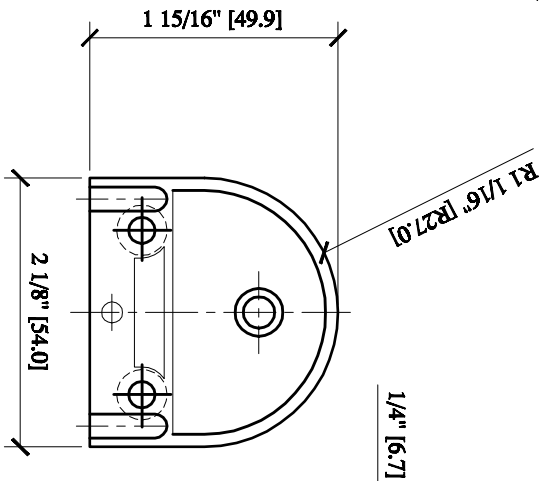
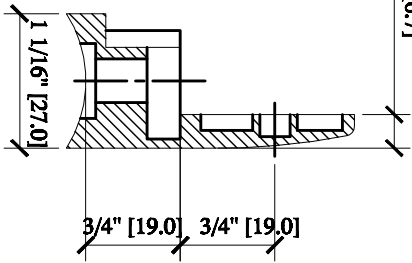
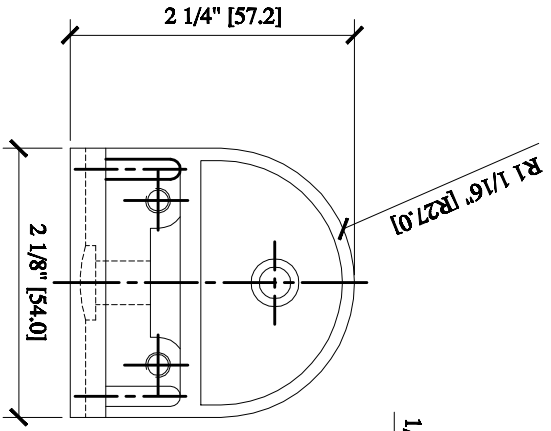


**Z-SERIES ROUND TYPE
RADIUS BASE ZINC CLAMPS
FOR 3/8" GLASS
CAT NO. Z210xx**



GLASS FABRICATION