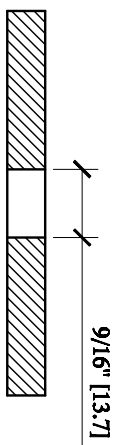
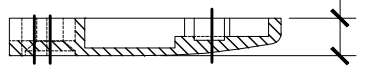
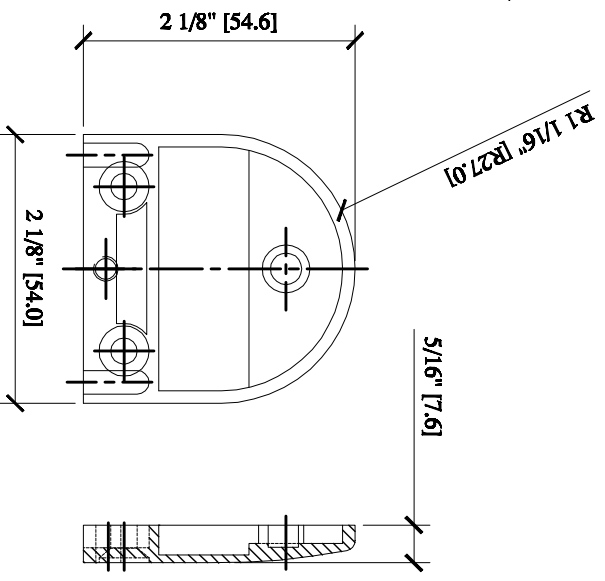
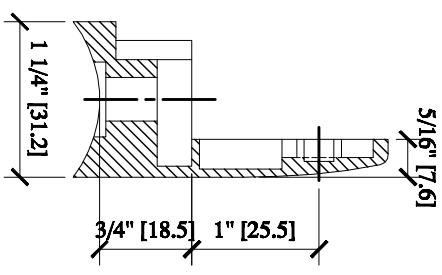
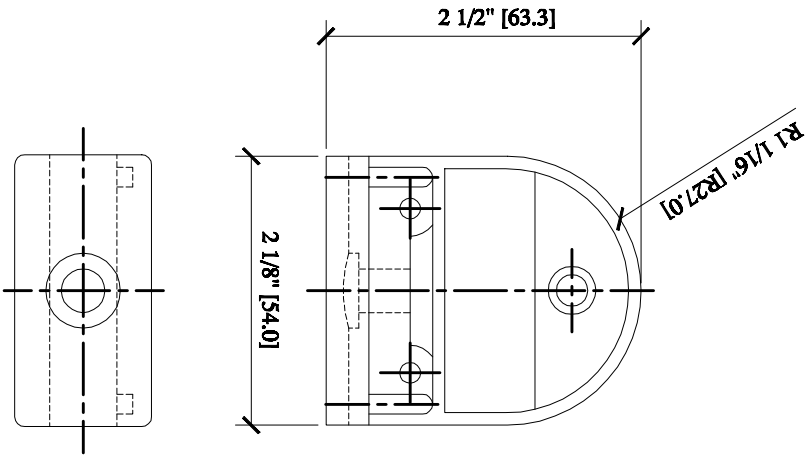


**Z-SERIES ROUND TYPE  
RADIUS BASE ZINC CLAMPS  
FOR 1/2" GLASS  
CAT NO. Z212XX**



**GLASS FABRICATION**

