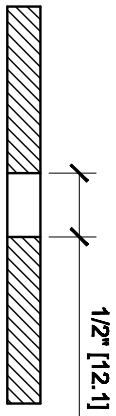
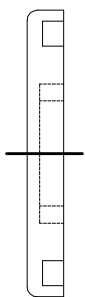
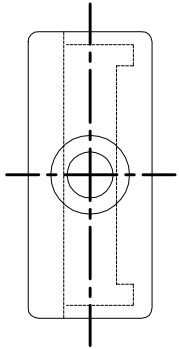
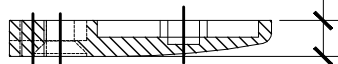
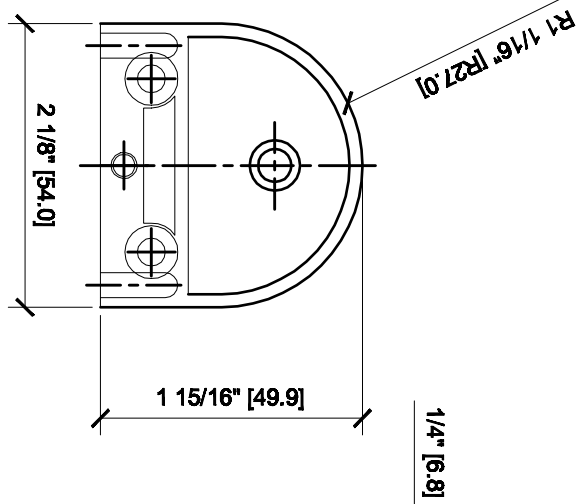
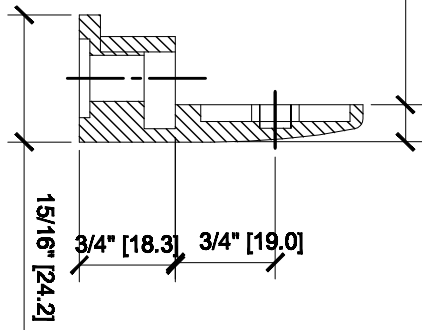
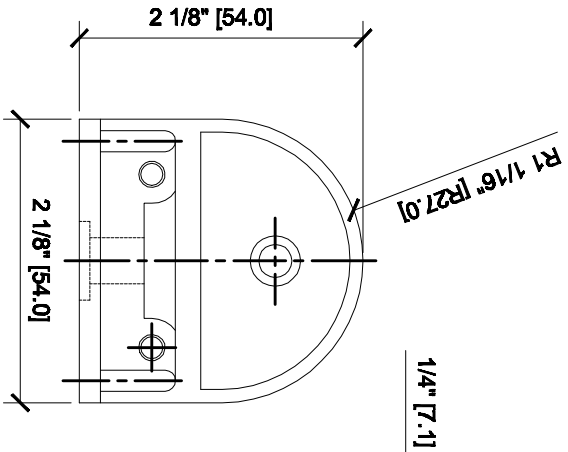


**Z-SERIES ROUND TYPE FLAT
 BASE ZINC CLAMPS
 FOR 1/4" AND 5/16" GLASS
 CAT NO. Z406XX**



GLASS FABRICATION