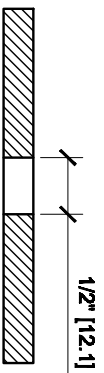
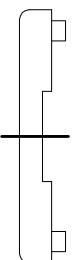
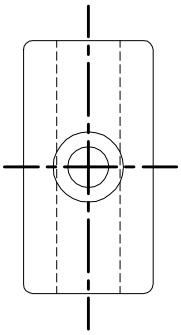
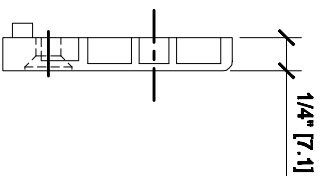
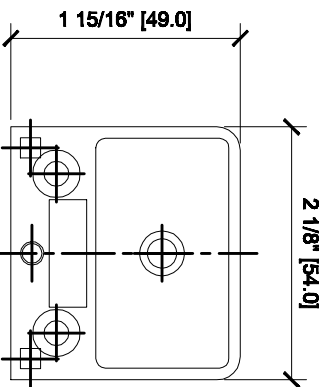
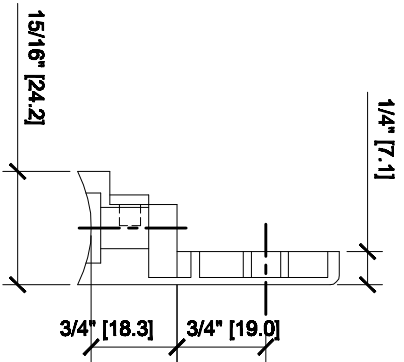
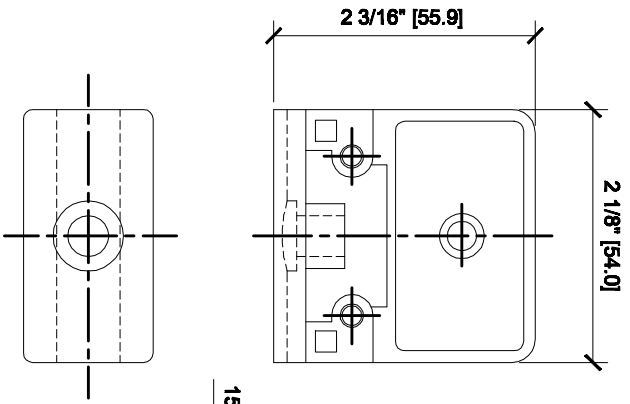


**Z-SERIES ROUND TYPE
RADIUS BASE ZINC CLAMPS
FOR 1/4" AND 5/16" GLASS
CAT NO. Z606XX**



GLASS FABRICATION