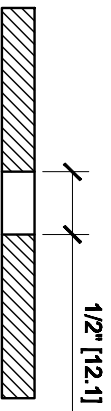
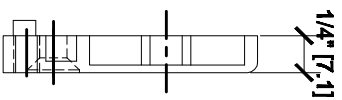
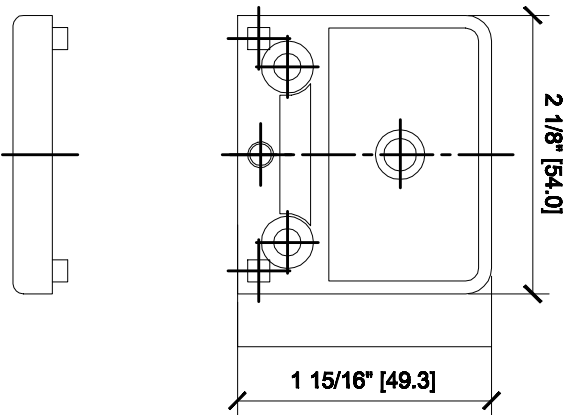
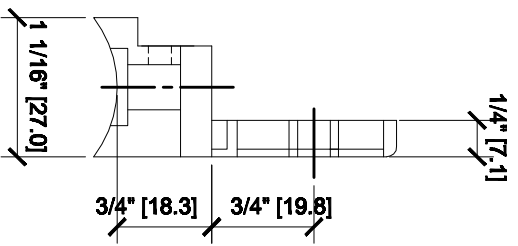
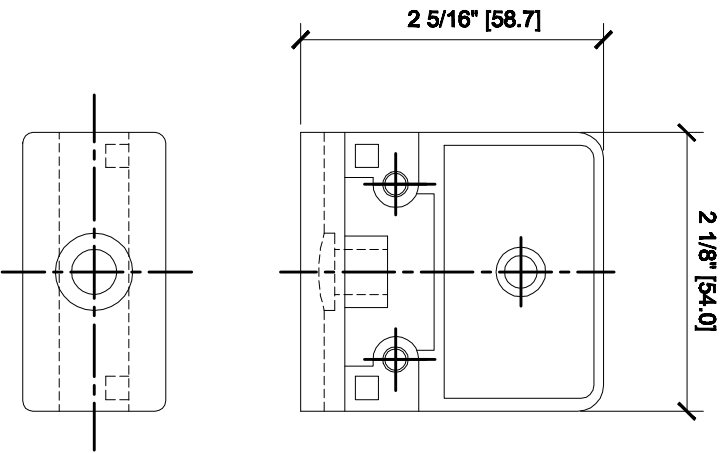


**Z-SERIES SQUARE TYPE
RADIUS BASE ZINC CLAMPS
FOR 3/8" GLASS
CAT NO. Z610XX**



GLASS FABRICATION